

SONY

Hi-Fi Products
Service Bulletin

Sony Service Company Technical Services
A Division of Sony Corporation of America
Sony Drive Park Ridge, New Jersey 07656

Model: TC-K950ES

No. 216

Subject: Level of High Frequency Content Decreases

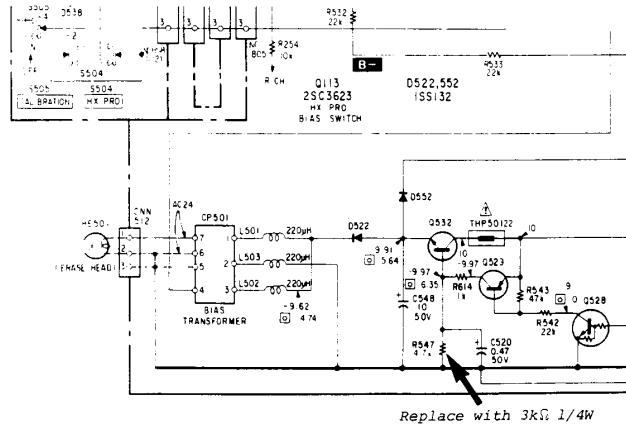
Date: September 25, 1991

Symptom:
(153) When recording the B side after recording the A side of a cassette, the level of the A side high frequency content decreases. This problem is caused by excessive erase current.

Solution: Decrease the erase head current by changing R547 as described.

REF. NO.	FORMER		NEW	
	DESCRIPTION	PART NO.	DESCRIPTION	PART NO.
R547	1/4W RESISTOR 4.7K	1-249-425-11	1/4W RESISTOR 3K	1-247-842-11

SCHEMATIC DIAGRAM - AUDIO SECTION -



CSA-13 Tape Deck